



## Testing

Verify the green LED is lit on the BTC-1X Remote Transceiver.

Turn on a *Bluetooth*® enabled source i.e. media player, smartphone, or computer. Open the *Bluetooth* menu and enable the pairing feature on the device. Select the Russound BTC-1X product by its configured name from the list of available *Bluetooth* enabled products. Enter PIN number 0000 to complete pairing.

Select the desired audio from the device and start the playback.

## Connection Instructions

Read all instructions before starting the installation.

1. Determine the ideal location of the BTC-1X within the room
2. Wire the CAT-5 from the controller to the BTC-1X location
3. Add RJ-45 connectors to the CAT-5, follow the RJ-45 T568A Wiring Standard (show diagram)
4. Plug in each end of the RJ-45 into the appropriate jack on the controller labeled *Bluetooth* and the BTC-1X RJ-45 jack.
5. If you are planning more than one BTC-1X in a home, it is suggested that you program each BTC-1X. Follow the programming instructions noted below.

## Programming instructions

The BTC-1X comes configured with the Name Russound and Passkey 0000. To create a more secure network, it is recommended that a unique Name and Passkey be created at the time of installation and provided to the homeowner.

Follow the steps below to create a unique Name and Passkey for each BTC-1X.

**Note:** CAT-5 cable must be connected during programming to provide power to BTC-1X.

1. Plug in the micro USB cable (included) to the USB programming port in the BTC-1X. (see diagram)
2. Connect the micro USB cable to the USB port on the PC.
3. Download the BSK-1 programming software from the dealer portal at [www.russound.com](http://www.russound.com).
4. Launch the BTC-1X Configuration Tool software.
5. Enter a unique Name and a numeric Passkey (minimum 4 digits), then Write to device.
6. Disconnect the micro USB cable from the BTC-1X first, then cycle the power on the BTC-1X by removing the CAT-5. Cycling the power will reboot the BTC-1X with the assigned custom Name and Passkey.

## Source Configuration

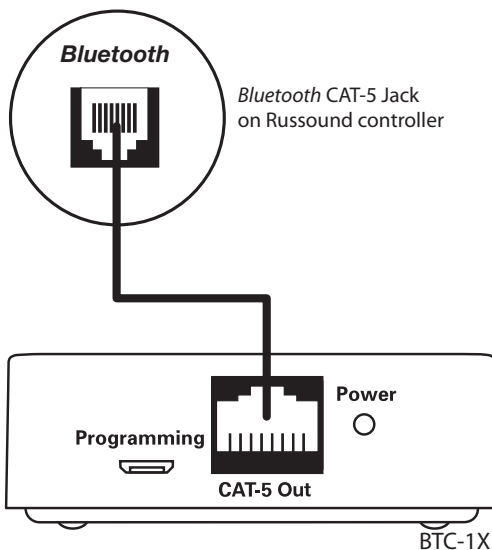
The BTC-1X is supported by Russound controllers with *Bluetooth* capability.

Refer to the Russound controller instruction manuals to connect and enable the *Bluetooth* source input.

## Ważne uwagi

1. Disconnect the power cord to Russound controller before making any connections to the BTC-1X.
2. Verify all connections are correct and polarity on the connectors are correct. Follow T568A connections on all RJ-45 connections as show in the diagram.
3. Keep all power cords away from all signal cables. If you have to cross power cables, do so at 90 degrees and don't run the cables parallel with one another. Keep a distance of 12" away if running parallel to avoid induced noise on the CAT-5 cable.
4. Choose reliable signal cable and / or patch cords.

## Schemat połączeń



## Specyfikacja

### Przełącznik BTC-1X

Zasilanie: przewód CAT-5 podłączony do kontrolera

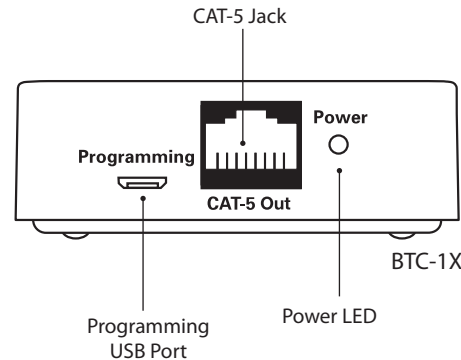
Zakres częstotliwości: 2,400-2,483.5 MHz

Połączenie CAT-5 : RJ-45 (standardowe T568A)

Wymiary: 70mm x 56mm x 26mm (S x G x W)

Waga: 0,1kg

Maksymalna dł. kabla: 100m (CAT-5) BT C-1X do kontrolera  
50', (15M) without obstruction



## RJ-45 CAT-5 Wiring Scheme

