

## Testing

Verify the red power LED is lit on the BTC-1 Termination Box and the green LED is lit on the BTC-1X Remote Transceiver.

Turn on a *Bluetooth*® enabled source i.e. media player, smartphone, or computer. Open the *Bluetooth* menu and enable the pairing feature on the device. Select the Russound BSK-1 product by its configured name from the list of available *Bluetooth* enabled products. Enter PIN number 0000 to complete pairing.

Select the desired audio from the device and start the playback.

## For Local Source configurations

The Local Source feature is designed for use when the Primary Zone is in the Off state and is not available if the Primary Zone is already in use.

When an audio output signal from the BSK-1 is detected by the C-Series controller, the Primary Zone will turn on, select the BSK-1 source and set the zone's volume level based on the settings made through SCS-C5 software.

The volume on the source device should be at its highest setting to assure the audio output level from the BSK-1 will be strong enough to detect and activate the Local Source feature. If the audio signal level is not strong enough for the C-Series controller to detect, the local source feature will not activate or, if already in use, will shut the local source feature off after 10 minutes of no audio signal detection.

## For non-Local Source configurations

Turn on a zone and select the BSK-1 source input and adjust the volume to the desired level. Audio from the *Bluetooth* enabled source should be heard throughout the zone.

## Normal Use

Only one device at a time may be actively paired with the BSK-1 in the multiroom system. Activate the *Bluetooth* feature from the source device and connect or 'pair' with the BSK-1 by selecting its assigned name. If being used as a Local Source and the Primary Zone is in the Off state, it will automatically be turned on, select the BSK-1 source input and volume level adjusted. Otherwise manually choose your music and start playing. Choose the appropriate source input on the Russound system and enjoy the music. When finished, disconnect your device from the BSK-1 or turn off the *Bluetooth* feature of the source device. If you move your device out of range (15M without obstruction) it will automatically sever the connection. If you are unable to connect to the BSK-1, another device within range may be connected.

## Safety Instructions

1. Read Instructions - All the safety and operating instructions should be read before the equipment is operated.
2. Retain Instructions - The safety and operating instructions should be retained for future reference.
3. Heed Warnings - All warnings on the equipment in the operating instructions should be adhered to.
4. Follow Instructions - Follow all operating and user instructions.
5. Water and Moisture - The equipment should not be used near water; for example, near a bathtub, washbowl, kitchen sink, laundry tub, in a wet basement, or near a swimming pool.
6. Mounting - The equipment should be mounted or secured as recommended by the manufacturer.
7. Heat - The equipment should be situated away from heat sources such as radiators, heat registers, stoves, or other equipment (including amplifiers) that produce heat.
8. Power Sources - The product should be connected to a power supply only of the type described in the operating instructions or as marked on the equipment.
9. Grounding or Polarization - Precaution should be taken so that the grounding or polarization means of the product is not defeated.
10. Avoid spills and foreign objects. Ensure liquids and objects don't get into the product enclosure through any openings.
11. Damage Requiring Service - The equipment should be serviced by qualified service personnel when: the power supply cord or the plug has been damaged; objects have fallen, liquid has been spilled into the equipment; the equipment has been exposed to rain; the equipment does not appear to operate normally; or the equipment has been dropped or the enclosure is damaged.
12. Servicing - The user should not attempt to service the equipment beyond that described in the operating instructions. All other servicing should be referred to qualified service personnel.
13. Care - From time to time you should wipe any dust accumulation from the equipment with a soft dry cloth.



**Note:** This equipment has been tested and found to comply with the limits for a Class B digital device, pursuant to part 15 of the FCC rules. These limits are designed to provide reasonable protection against harmful interference in a residential installation. This equipment generates, uses and can radiate radio frequency energy and, if not installed and used in accordance with the instructions, may cause harmful interference to radio communications. However, there is no guarantee that interference will not occur in a particular installation. If this equipment does cause harmful interference to radio or television reception, which can be determined by turning the equipment off and on, the user is encouraged to try to correct the interference by one of or more of the following measures: reorient or relocate the receiving antenna; increase the separation between the equipment and receiver; connect the equipment into an outlet on a circuit different from that to which the receiver is connected, or consult the dealer or an experienced radio/TV technician for help.

This Class B digital apparatus complies with Canadian ICES-003.

Cet appareil numérique de la classe B est conforme à la norme NMB-003 du Canada.

## Specyfikacje

### BTC-1X Zdalny odbiornik

Zasilanie: zasilany z BTC-1 przez CAT-5  
Zakresz stotliwo ci: 2,400-2,483.5 MHz  
Poł czenie CAT-5: RJ-45 (standard T568A)  
Wymiary: 70mm (S) x 56mm (G) x 26mm (W)  
Waga: 88g  
Max. dł. przewodu: 90m (CAT-5) BTC-1x do BTC-1

### BTC-1 Moduł przyłczeniowy

Power requirements: 12VDC 300mA  
CAT-5 connection: RJ-45 (T568A standard)  
Trigger Output: 12VDC 100 mA Max  
Trigger Input: 12VDC  
Audio Connections: 2 RCA  
Dimensions: 122mm x 51mm x 38mm (W x D x H)  
Weight: 7.3 ounces  
Max cable length: 25' (RCA cable) BTC-1 to Controller  
300' (CAT-5) BTC-1X to BTC-1

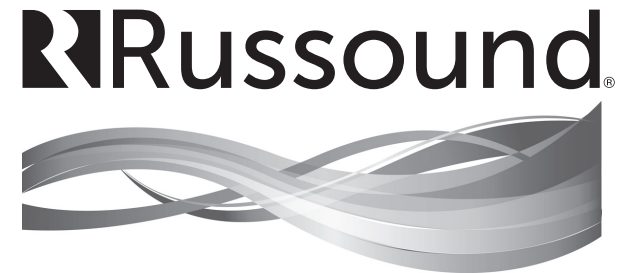
## Gwarancja

The Russound BSK-1 is fully guaranteed for two (2) years from the date of purchase against all defects in materials and workmanship. During this period Russound will replace any defective parts and correct any defect in workmanship without charge for either parts or labor. For this warranty to apply, the unit must be installed and used according to its written instructions. If service is necessary, it must be performed by Russound. Russound assumes no responsibility for defects resulting from abuse or servicing performed by an agency or person not specifically authorized in writing by Russound. Damage to or destruction of components due to improper use voids the warranty. In these cases the repair will be made at the owner's expense. Accidental damage and shipping damage are not considered defects under the terms of the warranty. To return for repairs, the unit must be shipped to Russound at the owner's expense, along with a Return Authorization number and documentation explaining the nature of the service required. Any product returned without prior written permission will be returned to sender. Russound sells products only through authorized Dealers and Distributors to ensure that customers obtain proper support and service. Any Russound product purchased from an unauthorized dealer or other source, including retailers, mail order sellers and online sellers will not be honored or serviced under existing Russound warranty policy. Any sale of products by an unauthorized source or other manner not authorized by Russound shall void the warranty on the applicable product.

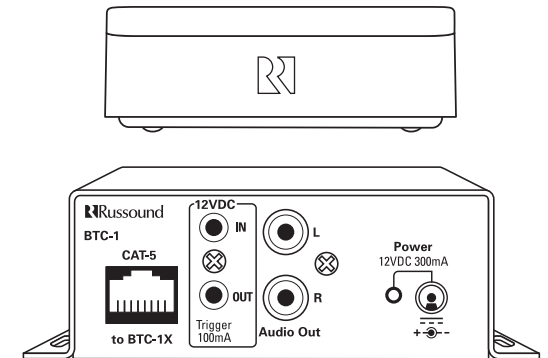
To obtain Return Authorization please contact us at: [rarequest@russound.com](mailto:rarequest@russound.com)

Copyright ©2013 Russound® All rights reserved. All trademarks are the property of their respective owners. Russound is not responsible for typographical errors or omissions. Specifications are subject to change without notice.

The *Bluetooth*® word mark and logos are registered trademarks owned by *Bluetooth* SIG, Inc. and any use of such marks by Russound is under license. Other trademarks and trade names are those of their respective owners.



## BSK-1 Zestaw z odbiornikiem Bluetooth®



## O produkcie

Zestaw BSK-1 pozwala użytkownikowi przenośnego odtwarzacza, smartfona lub innego urządzenia z opcją *Bluetooth* na bezprzewodowe przesyłanie audio do systemu multiroom Russound. Zdalny odbiornik BTC-1X łączy się z modułem przyłczeniowym BTC-1 poprzez pojedynczy przewód CAT-5. Przewód CAT-5 zarówno zasilają odbiornik jak i przesyła sygnał audio z modułu BTC-1, który połączony jest z kontrolerem multiroom przesyłającym sygnał audio oraz triggera 12VDC. BSK-1 może być źródłem globalnym dla całego systemu lub źródłem lokalnym dla pojedynczej strefy priorytetowej z możliwością automatycznej kontroli zasilaniem tej strefy, wybierania źródła oraz poziomu jej głośności.

Kompaktowy zdalny odbiornik BTC-1X można umieścić na płaskiej powierzchni lub w standardowej skrzynce elektrycznej, tak by zapewnić użytkownikowi najlepszy zasięg i możliwość słuchania bez jakichkolwiek zakłóceń. Znajdujący się w kompaktowej, metalowej obudowie moduł przyłczeniowy BTC-1 jest łączony bezpośrednio z kontrolerem przy pomocy kabli krosowych RCA oraz opcjonalnego kabla do triggera 12VDC.

**Russound, Inc.** 5 Forbes Rd., Newmarket, NH 03857, USA  
tel 603.659.5170 • fax 603.659.5388 [www.russound.com](http://www.russound.com)  
technical support: 866.888.7466 e-mail: [tech@russound.com](mailto:tech@russound.com)

## Connection Instructions

Read all instructions before starting the installation.

Determine the ideal location for the BTC-1X Remote Transceiver based on whether it will be a global or local source, keeping in mind that structural elements, concrete, and other 2.4 GHz transmitters may interfere with the signal. The BTC-1X Remote Transceiver may be located in a freestanding position or in a standard 18 ci electrical box. The BTC-1X Remote Transceiver must be accessible for programming a custom name later.

Route a single CAT-5 cable from the BTC-1 Termination Box to the BTC-1X Remote Transceiver location. The recommended maximum CAT-5 cable length is 300 feet (91.44 meters) between the BTC-1X and the BTC-1 Termination Box. If the BTC-1X location is freestanding, the CAT-5 cable can be terminated to a RJ-45 wall plate using the T568A standard wiring configuration. A CAT-5 jumper cable would then be connected from the wall plate to the BTC-1X. If the location is in-wall, the CAT-5 cable is routed into an 18 ci or larger US standard electrical work box where it is terminated with a RJ-45 plug which is then connected to the BTC-1X.

The BTC-1 Termination Box should be placed close to the controller (distance not to exceed 25 ft). The installer then installs the BTC-1 by either mounting it to a flat surface or to the back of an A/V equipment rack using screws through the holes in the mounting flanges. Terminate the end of the CAT-5 cable connected to the BTC-1X Remote Transceiver with an RJ-45 plug using the T568A standard wiring configuration. Connect the cable to the BTC-1 Termination Box.

Connect RCA audio patch cables from the termination box's audio outputs to the designated source input on the Russound controller for which the BSK-1 will be assigned to.

The provided two conductor 12VDC trigger cable terminated with a 1/8" male plug at each end is connected from the termination box's 12VDC trigger output to the Home Theater trigger input on the Russound controller. This will wake the Russound controller from standby once the BSK-1 is actively paired with a *Bluetooth*® enabled source.

If this is to be used as a local source for a zone, use SCS-C5 configuration software to assign it to a Primary Zone and set the Local Source turn on volume level which is unique from the zone turn on volume level.

Connect the included 12VDC power supply to the BTC-1 Termination Box but do not plug into the wall until installation has been completed.

## Source configuration

Configure the C-Series Controller using SCS-C5 configuration software.

The BSK-1 is supported by C-Series products with the minimum firmware listed below :

- MCA-C3 v4.00.00 or higher
- MCA-C5 v5.00.00 or higher
- MDK-C5 v5.00.00 or higher
- SCS-C5 v5.00.00 or higher
- My Russound v2.00.00 or higher

All current firmware update files are located on the Russound Support center, [www.russound.com](http://www.russound.com).

The installer configures the source input which the BSK-1 is connected to by selecting the device from the drop-down list of source device types on the source setup page. A drop down list will be presented for selection of a Primary Zone with a default selection of 'None' along with a turn on volume setting for the Primary Zone if this is to be used as a Local Source. If this is to be used as a global source for all zones leave the selection as 'None'. Otherwise, select a Primary Zone from the list and adjust the turn on volume for the Primary Zone for when the BSK-1 is being used. Doing so enables the audio sensing for that source input to trigger local source settings for the selected zone as follows:

- Turn on the Primary Zone.
- Select the BSK-1 source for the Primary Zone
- Set the Primary Zone volume for Local Source use

Adjust the Source Volume Trim on the Source Summary page within SCS-C5 so that the BSK-1 output level appropriately matches that of the other audio sources. Save the system configuration to the controller

## Assigning a custom name to the device

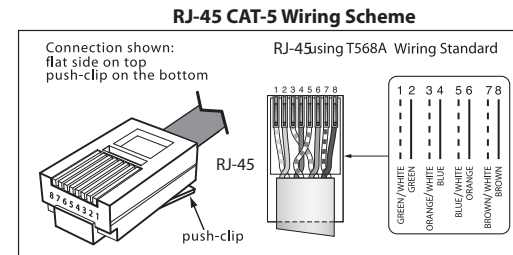
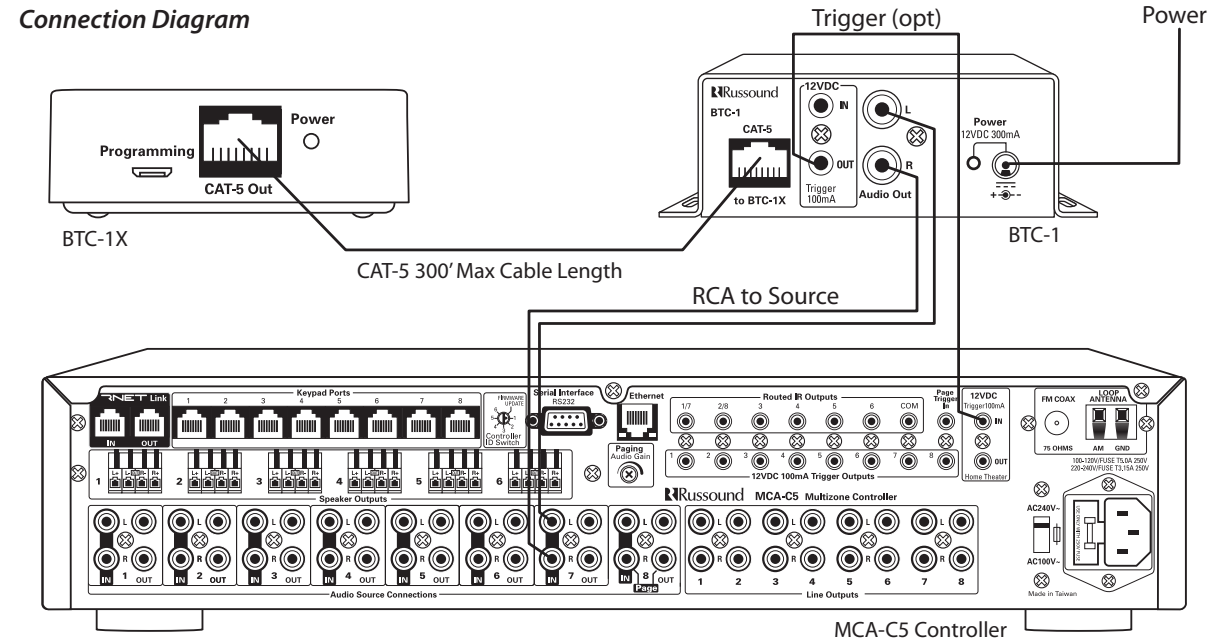
The BTC-1X comes configured with the Name **Russound** and Passkey **0000**. To create a more secure network, it is recommended that a unique Name and Passkey be created at the time of installation and provided to the homeowner.

Follow the steps below to create a unique Name and Passkey for each BTC-1X.

**Note:** CAT-5 cable must be connected during programming to provide power to BTC-1X.

1. Plug in the micro USB cable (included) to the USB programming port in the BTC-1X. (see diagram)
2. Connect the micro USB cable to the USB port on the PC.
3. Download the BSK-1 programming software from the dealer portal at [www.russound.com](http://www.russound.com).
4. Launch the BTC-1X Configuration Tool software.

## Connection Diagram



5. Enter a unique Name and a numeric Passkey (minimum 4 digits), then Write to device.
6. Disconnect the micro USB cable from the BTC-1X first, then cycle the power on the BTC-1X by removing the CAT-5. Cycling the power will reboot the BTC-1X with the assigned custom Name and Passkey.

## Important Considerations

- Disconnect the power cord to the controller before making any connections to the controller.
- Verify that all connections and polarity are correct.
- Keep all power cords away from all signal cables to prevent humming from induced noise.
- Choose reliable signal cables and patch cords.
- Avoid running audio cords or CAT-5 signal cables close to house electrical wiring for any distance. If you have to run them parallel, make sure to space the wires at least two feet from the AC line. If you need to cross an AC line it should be at a 90° angle.

## BTC-1 and BTC-1X

